



**General Notes**

- 1) Shelter size: 15' X 10' (150 sft)
- 2) Flooring-Sand and cement
- 3) Footing-N/A
- 4) Structure (post + beam)-Precast Concrete posts, MS Angle Rafter and beam
- 5) Walling-lime stabilized soil plaster on Bamboo mat
- 6) Roofing - CGI with CGI ridge, PU Insulation under roof layer

**ISCG SCCC Sector  
SCCCM Sector Standards - Bangladesh**



Coordination Hub, Kabita Soroni, Motel Road,  
Cox's Bazar-4700, Bangladesh

**Project Title:**  
TEMPORARY SAFER SHELTER (TSS)

**Drawing No:** 01

**Drawing title :**Front Page

**Scale:** N/A

**Sheet No:** 00

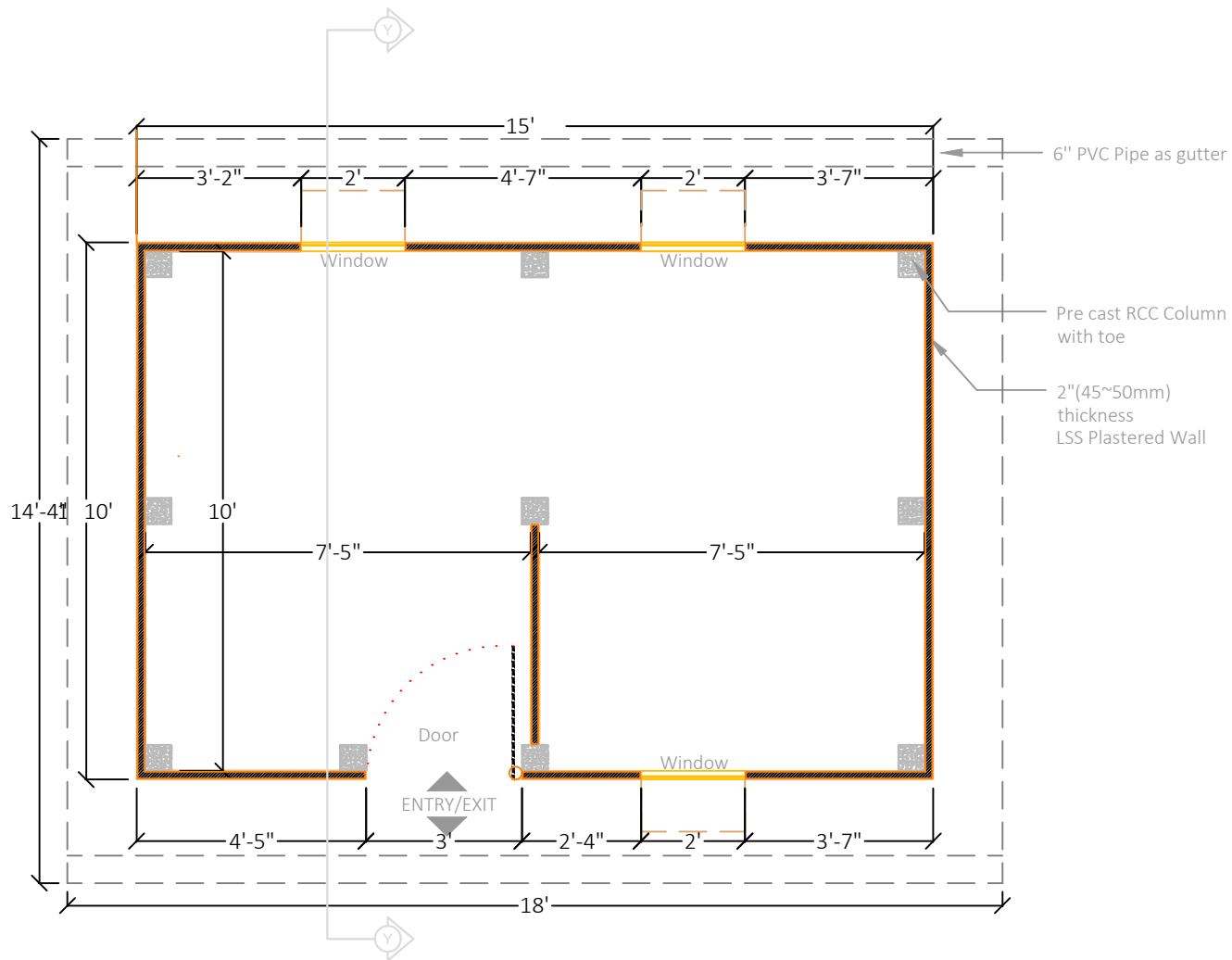
**Date:** April, 2025.

**Sketch & Planning by:**  
International Organization for Migration (IOM) & Shelter taskforce Team

**Drawn by:**  
International Organization for Migration (IOM)

**Design & Checked by :**  
International Organization for Migration (IOM) & Shelter taskforce Team

**Technical Support & Validated by:**  
SCCCM Sector-ISCG and RRRRC



### General Notes

- 1) Shelter size: 15' X 10' (150 sft )
- 2) Flooring-Sand and cement
- 3) Footing-N/A
- 4) Structure (post + beam)-Precast Concrete posts, MS Angle Rafter and beam
- 5) Walling-lime stabilized soil plaster on Bamboo mat
- 6) Roofing - CGI with CGI ridge, PU Insulation under roof layer

### ISCG SCCCM SECTOR SCCCM Sector Standards - Bangladesh



Coordination Hub, Kabita Soroni, Motel Road,  
Cox's Bazar-4700, Bangladesh

**Project Title:**  
TEMPORARY SAFER SHELTER (TSS)

**Drawing No:** 01

**Drawing title :** Floor Plan

**Scale:** 1:100

**Sheet No:** 01

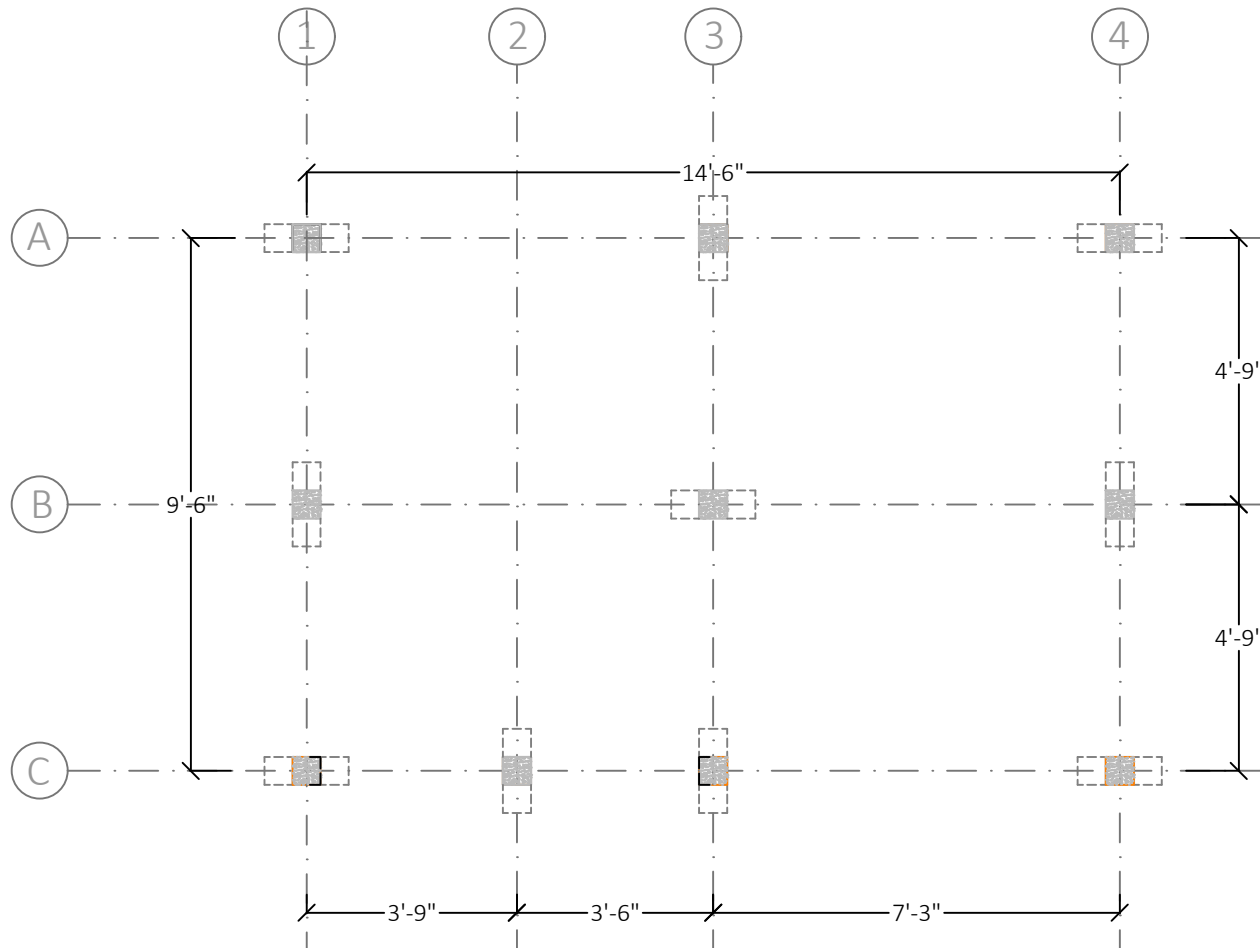
**Date:** April, 2025.

**Sketch & Planning by:**  
International Organization for Migration (IOM) & Shelter taskforce Team

**Drawn by:**  
International Organization for Migration (IOM)

**Design & Checked by :**  
International Organization for Migration (IOM) & Shelter taskforce Team

**Technical Support & Validated by:**  
SCCCM Sector-ISCG and RRRRC



**General Notes**

- 1) Shelter size: 15' X 10' (150 sft )
- 2) Flooring-Sand and cement
- 3) Footing-N/A
- 4) Structure (post + beam)-Precast Concrete posts, MS Angle Rafter and beam
- 5) Walling-lime stabilized soil plaster on Bamboo mat
- 6) Roofing - CGI with CGI ridge, PU Insulation under roof layer

**ISCG SCCCM SECTOR  
SCCCM Sector Standards - Bangladesh**



Coordination Hub, Kabita Soroni, Motel Road,  
Cox's Bazar-4700, Bangladesh

**Project Title:**  
TEMPORARY SAFER SHELTER (TSS)

**Drawing No:** 01

**Drawing title :** Column layout

**Scale:** 1:100

**Sheet No:** 02

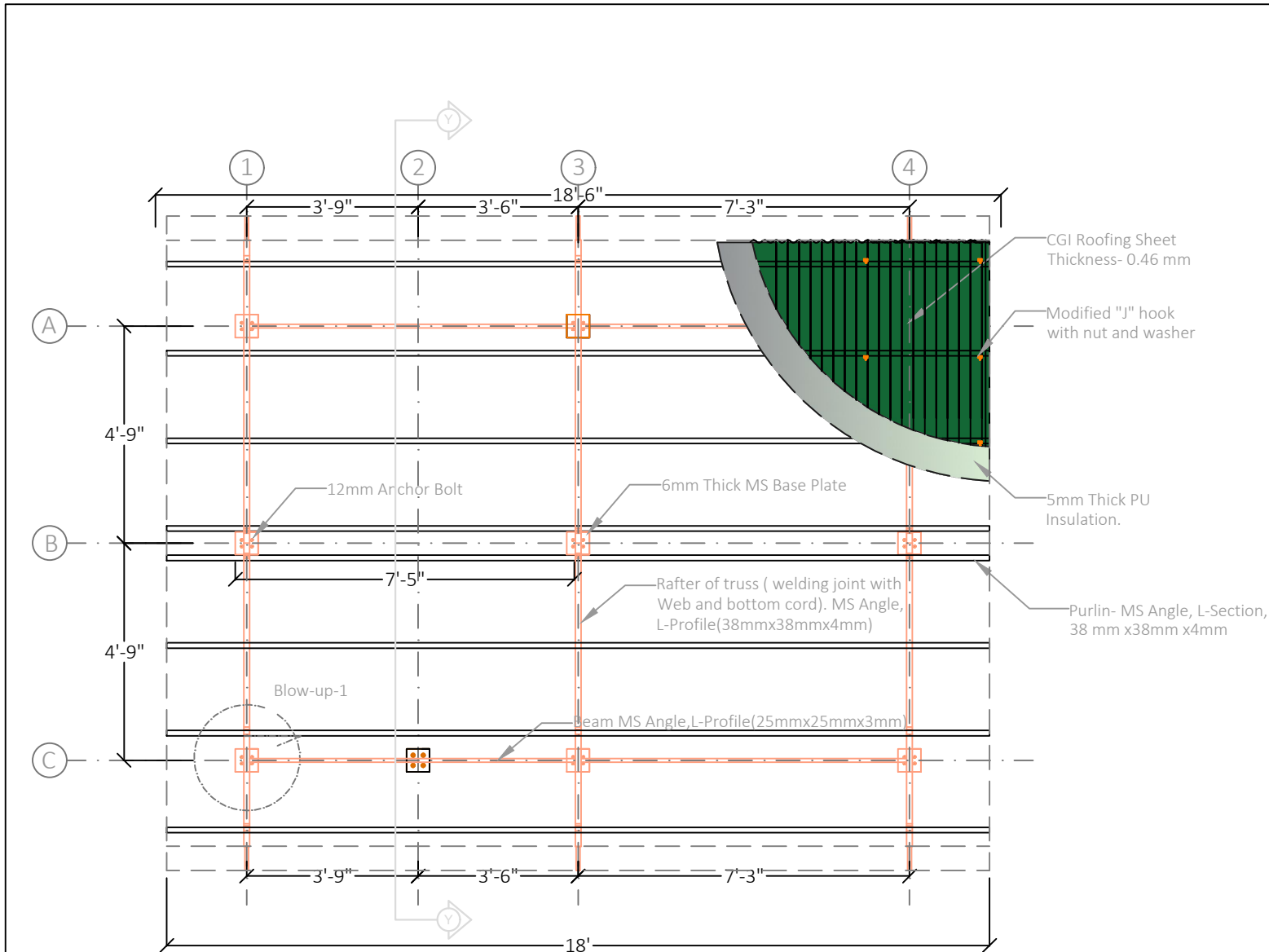
**Date:** April, 2025.

**Sketch & Planning by:**  
International Organization for Migration (IOM) & Shelter taskforce Team

**Drawn by:**  
International Organization for Migration (IOM)

**Design & Checked by :**  
International Organization for Migration (IOM) & Shelter taskforce Team

**Technical Support & Validated by:**  
SCCCM Sector-ISCG and RRRRC



### General Notes

- 1) Shelter size: 15' X 10' (150 sft)
- 2) Flooring-Sand and cement
- 3) Footing-N/A
- 4) Structure (post + beam)-Precast Concrete posts, MS Angle Rafter and beam
- 5) Walling-lime stabilized soil plaster on Bamboo mat
- 6) Roofing - CGI with CGI ridge, PU Insulation under roof layer

### ISCG SCCCM SECTOR SCCCM Sector Standards - Bangladesh



Coordination Hub, Kabita Soroni, Motel Road,  
Cox's Bazar-4700, Bangladesh

**Project Title:**  
TEMPORARY SAFER SHELTER (TSS)

**Drawing No:** 01

**Drawing title :** Roof Plan

**Scale:** 1:100

**Sheet No:** 03

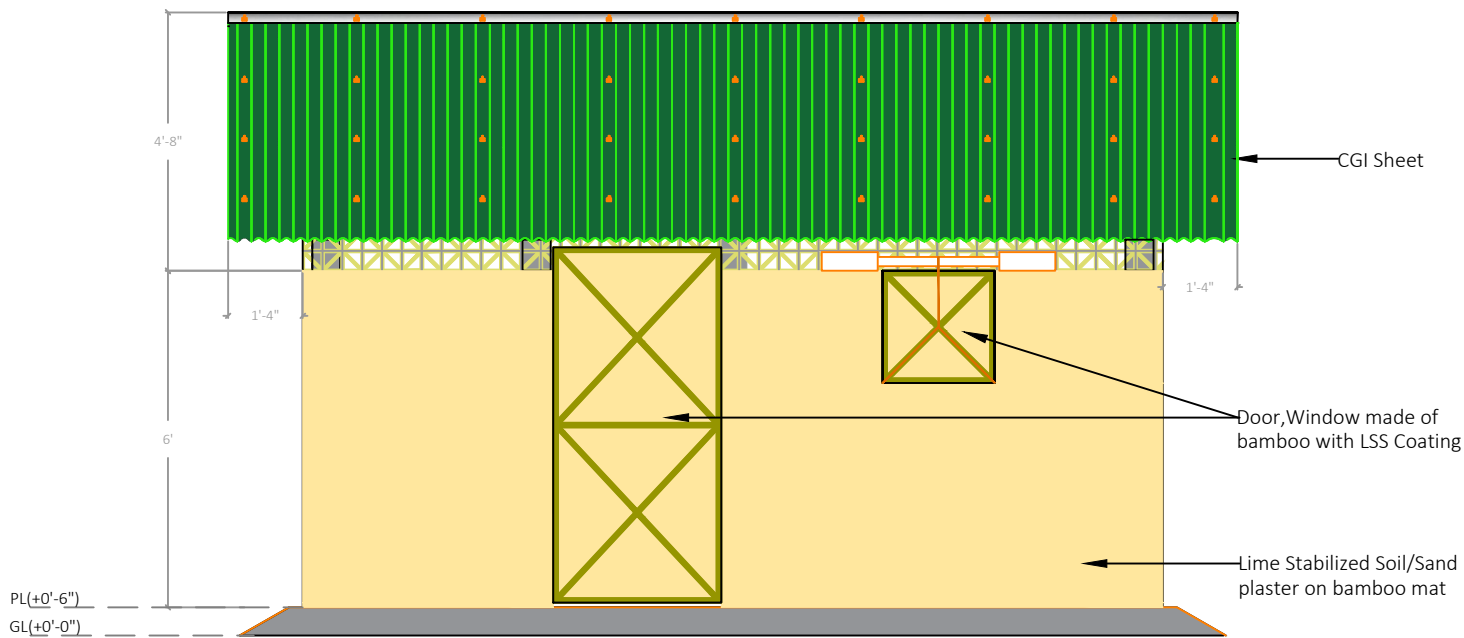
**Date:** April, 2025.

**Sketch & Planning by:**  
International Organization for Migration (IOM) & Shelter taskforce Team

**Drawn by:**  
International Organization for Migration (IOM)

**Design & Checked by :**  
International Organization for Migration (IOM) & Shelter taskforce Team

**Technical Support & Validated by:**  
SCCCM Sector-ISCG and RRRRC



**General Notes**

- 1) Shelter size: 15' X 10' (150 sft )
- 2) Flooring-Sand and cement
- 3) Footing-N/A
- 4) Structure (post + beam)-Precast Concrete posts, MS Angle Rafter and beam
- 5) Walling-lime stabilized soil plaster on Bamboo mat
- 6) Roofing - CGI with CGI ridge, PU Insulation under roof layer

**ISCG SCCCM SECTOR**  
**SCCCM Sector Standards - Bangladesh**



Rohingya  
Refugee  
Response  
Bangladesh



SHELTER & CCCM  
SECTOR

Coordination Hub, Kabita Soroni, Motel Road,  
Cox's Bazar-4700, Bangladesh

**Project Title:**  
TEMPORARY SAFER SHELTER (TSS)

**Drawing No:** 01

**Drawing title :** Front Elevation

**Scale:** 1:100

**Sheet No:** 04

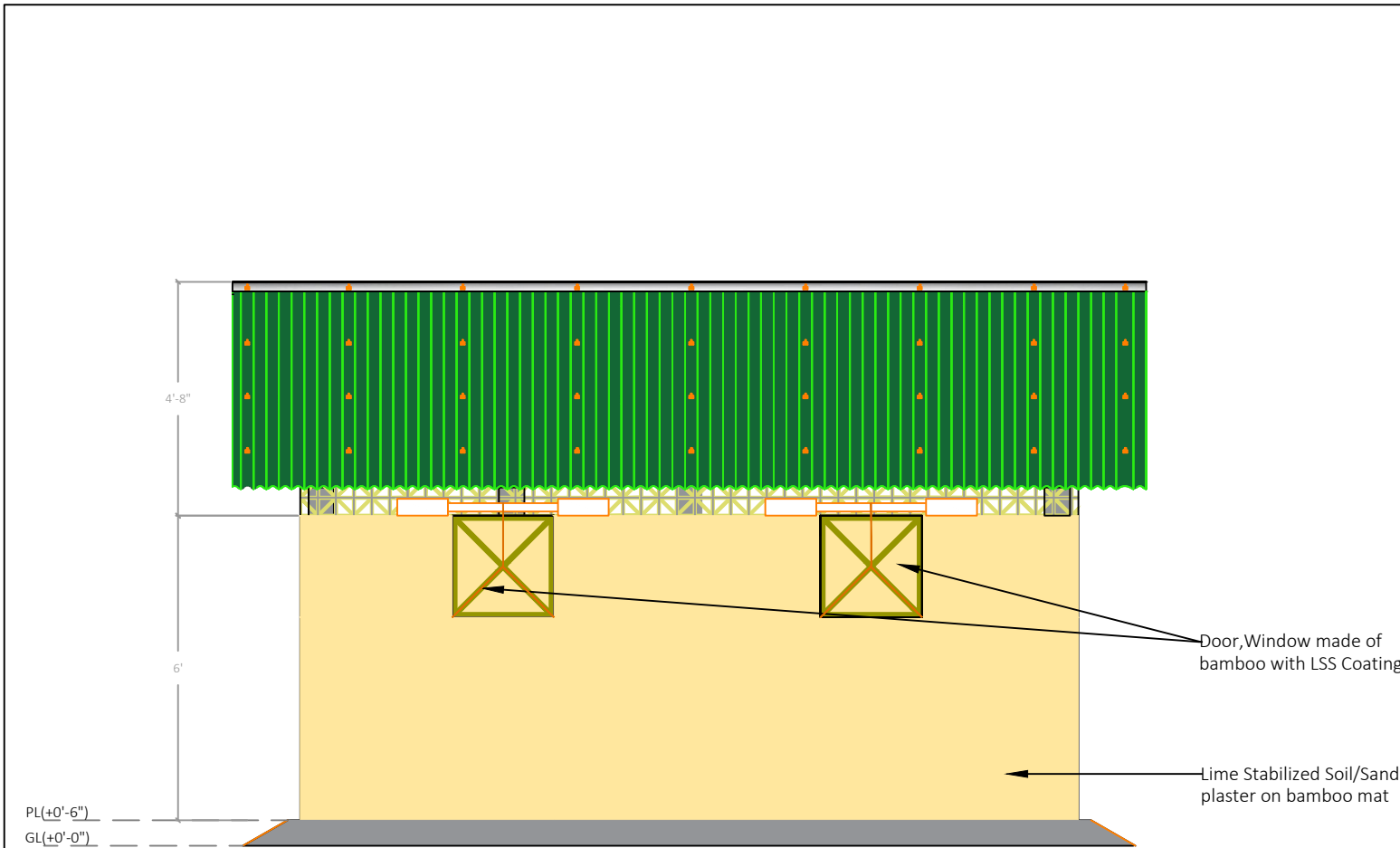
**Date:** April, 2025.

**Sketch & Planning by:**  
International Organization for Migration (IOM) & Shelter taskforce Team

**Drawn by:**  
International Organization for Migration (IOM)

**Design & Checked by :**  
International Organization for Migration (IOM) & Shelter taskforce Team

**Technical Support & Validated by:**  
SCCCM Sector-ISCG and RRRRC



Door, Window made of bamboo with LSS Coating

Lime Stabilized Soil/Sand plaster on bamboo mat

**General Notes**

- 1) Shelter size: 15' X 10' (150 sft )
- 2) Flooring-Sand and cement
- 3) Footing-N/A
- 4) Structure (post + beam)-Precast Concrete posts, MS Angle Rafter and beam
- 5) Walling-lime stabilized soil plaster on Bamboo mat
- 6) Roofing - CGI with CGI ridge, PU Insulation under roof layer

**ISCG SCCCM SECTOR**  
**SCCCM Sector Standards - Bangladesh**

**Rohingya  
Refugee  
Response**  
Bangladesh

**SHELTER & CCCM  
SECTOR**  
Cox's Bazar, Bangladesh

Coordination Hub, Kabita Soroni, Motel Road,  
Cox's Bazar-4700, Bangladesh

**Project Title:**  
TEMPORARY SAFER SHELTER (TSS)

**Drawing No:** 01

**Drawing title :** Back Elevation

**Scale:** 1:100

**Sheet No:** 05

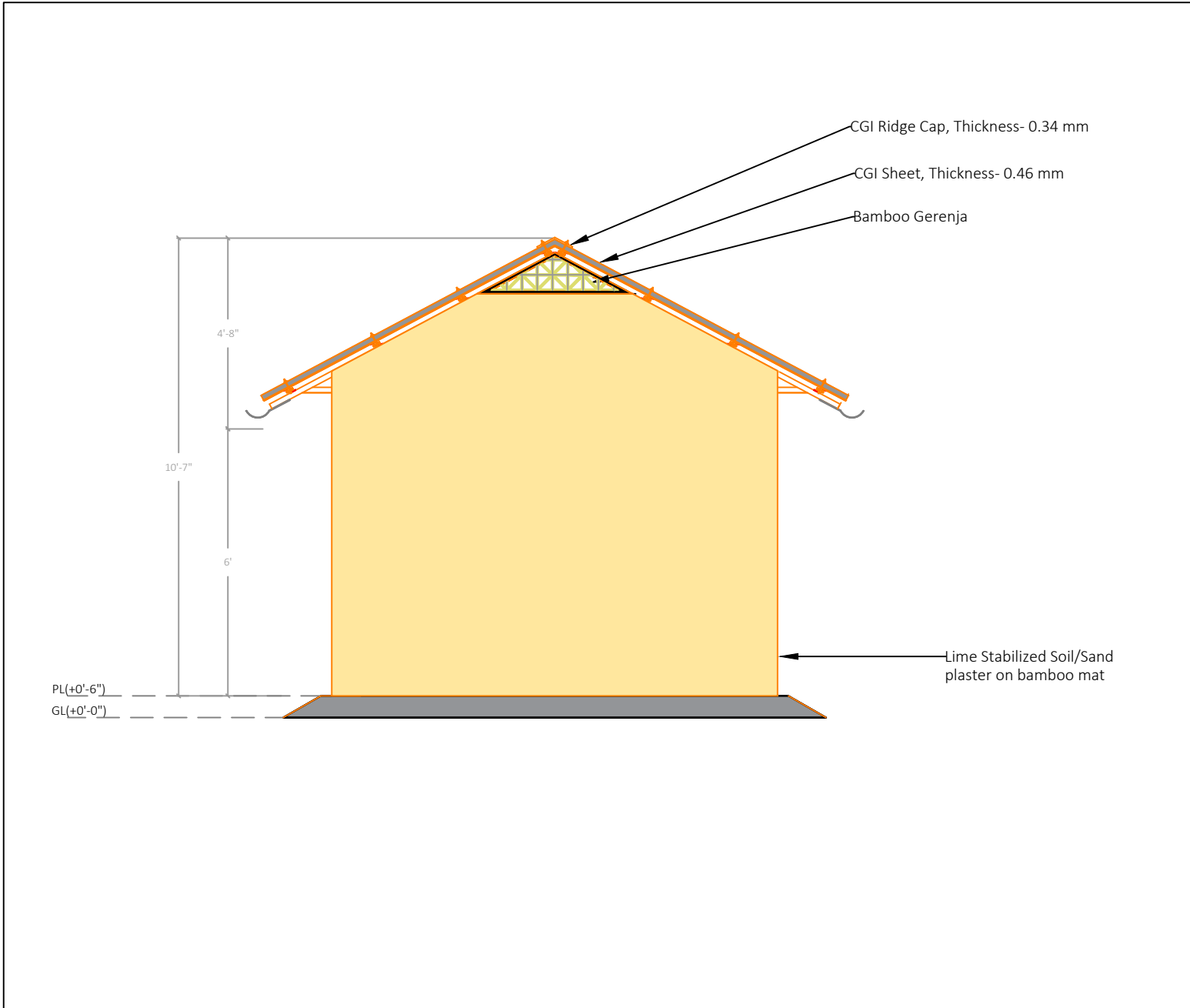
**Date:** April, 2025.

**Sketch & Planning by:**  
International Organization for Migration (IOM) & Shelter taskforce Team

**Drawn by:**  
International Organization for Migration (IOM)

**Design & Checked by :**  
International Organization for Migration (IOM) & Shelter taskforce Team

**Technical Support & Validated by:**  
SCCCM Sector-ISCG and RRRRC



CGI Ridge Cap, Thickness- 0.34 mm  
 CGI Sheet, Thickness- 0.46 mm  
 Bamboo Gerenja

Lime Stabilized Soil/Sand  
 plaster on bamboo mat

PL(+0'-6")  
 GL(+0'-0")

4'-8"  
 10'-7"  
 6'

**General Notes**

- 1) Shelter size: 15' X 10' (150 sft )
- 2) Flooring-Sand and cement
- 3) Footing-N/A
- 4) Structure (post + beam)-Precast Concrete posts, MS Angle Rafter and beam
- 5) Walling-lime stabilized soil plaster on Bamboo mat
- 6) Roofing - CGI with CGI ridge, PU Insulation under roof layer

**ISCG SCCC Sector**  
**SCCCM Sector Standards - Bangladesh**

**Rohingya  
Refugee  
Response**  
Bangladesh

**SHELTER & CCCM  
SECTOR**  
Cox's Bazar, Bangladesh

Coordination Hub, Kabita Soroni, Motel Road,  
 Cox's Bazar-4700, Bangladesh

**Project Title:**  
 TEMPORARY SAFER SHELTER (TSS)

**Drawing No:** 01

**Drawing title :** Side Elevation

**Scale:** 1:100

**Sheet No:** 06

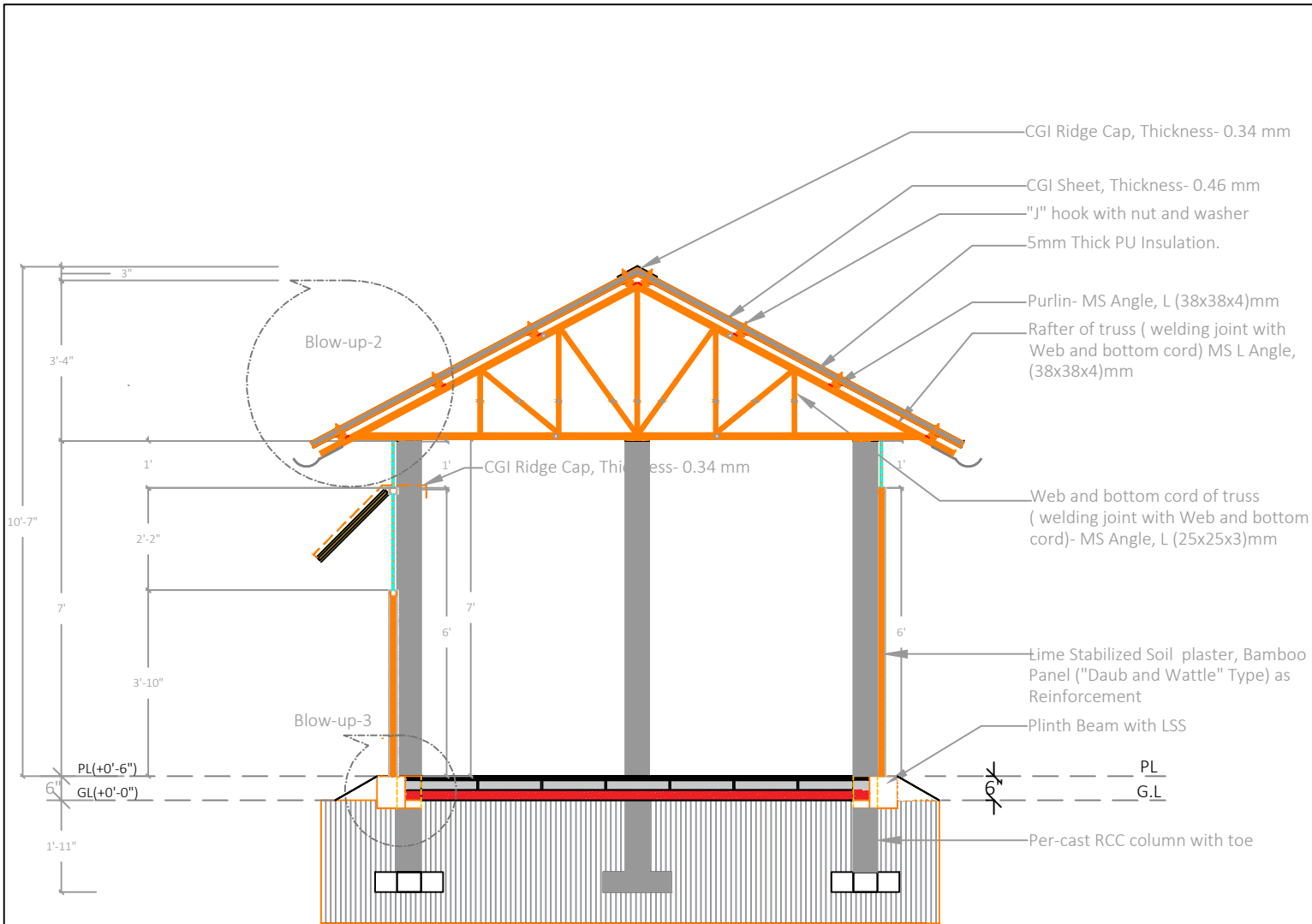
**Date:** April, 2025.

**Sketch & Planning by:**  
 International Organization for Migration (IOM) & Shelter taskforce Team

**Drawn by:**  
 International Organization for Migration (IOM)

**Design & Checked by :**  
 International Organization for Migration (IOM) & Shelter taskforce Team

**Technical Support & Validated by:**  
 SCCC Sector-ISCG and RRRRC



- General Notes**
- 1) Shelter size: 15' X 10' (150 sft)
  - 2) Flooring-Sand and cement
  - 3) Footing-N/A
  - 4) Structure (post + beam)-Precast Concrete posts, MS Angle Rafter and beam
  - 5) Walling-lime stabilized soil plaster on Bamboo mat
  - 6) Roofing - CGI with CGI ridge, PU Insulation under roof layer

**ISCG SCCCM SECTOR**  
**SCCCM Sector Standards - Bangladesh**

Coordination Hub, Kabita Soroni, Motel Road, Cox's Bazar-4700, Bangladesh

**Project Title:**  
 TEMPORARY SAFER SHELTER (TSS)

**Drawing No:** 01

**Drawing title :** Section Y-Y

**Scale:** 1:100

**Sheet No:** 07

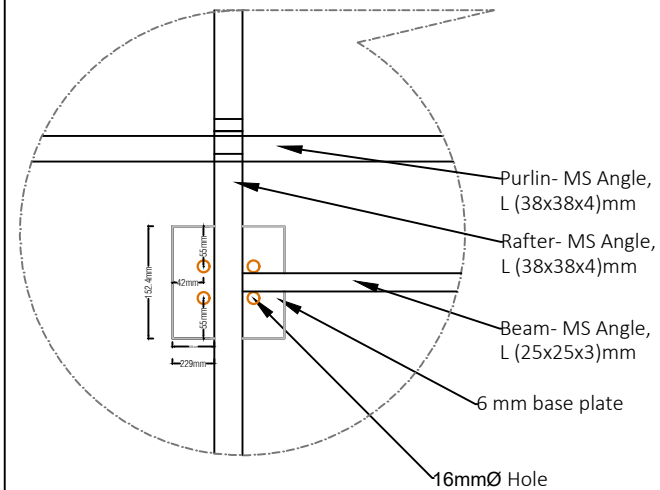
**Date:** April, 2025.

**Sketch & Planning by:**  
 International Organization for Migration (IOM) & Shelter taskforce Team

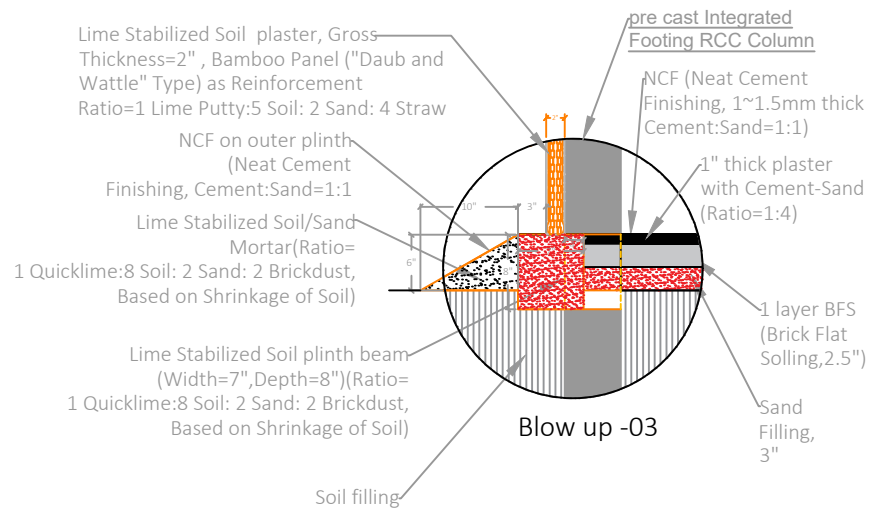
**Drawn by:**  
 International Organization for Migration (IOM)

**Design & Checked by :**  
 International Organization for Migration (IOM) & Shelter taskforce Team

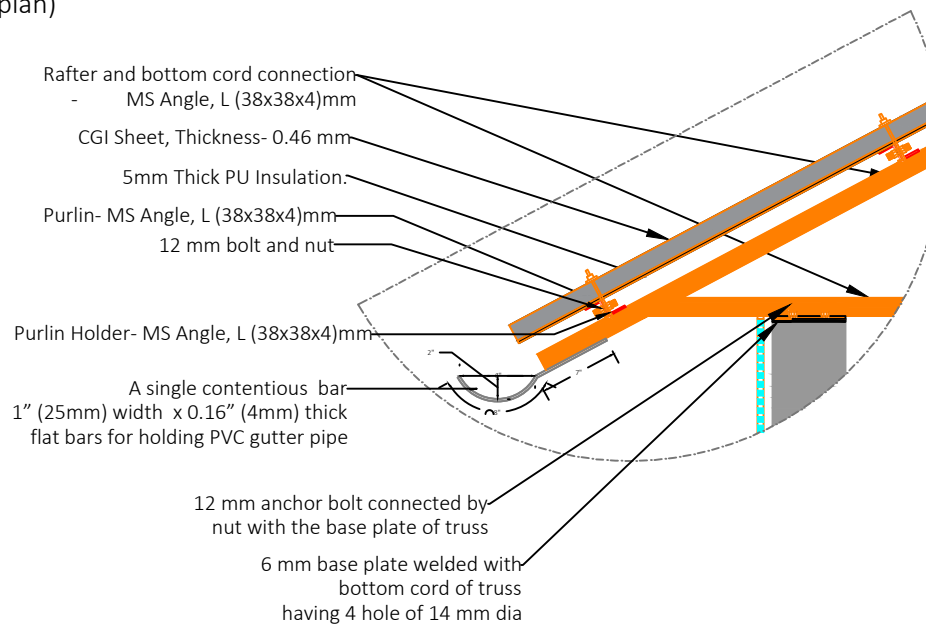
**Technical Support & Validated by:**  
 SCCCM Sector-ISCG and RRRRC



Blow up -01 Roof plan)



Blow up -03



Blow up -02

**General Notes**

- 1) Shelter size: 15' X 10' (150 sft)
- 2) Flooring-Sand and cement
- 3) Footing-N/A
- 4) Structure (post + beam)-Precast Concrete posts, MS Angle Rafter and beam
- 5) Walling-lime stabilized soil plaster on Bamboo mat
- 6) Roofing - CGI with CGI ridge, PU Insulation under roof layer

**ISCG SCCCMM SECTOR**  
**SCCCM Sector Standards - Bangladesh**

**Rohingya Refugee Response**  
Bangladesh

**SHELTER & CCCM SECTOR**  
Cox's Bazar, Bangladesh

Coordination Hub, Kabita Soroni, Motel Road, Cox's Bazar-4700, Bangladesh

**Project Title:**  
TEMPORARY SAFER SHELTER (TSS)

**Drawing No:** 01

**Drawing title :** Details

**Scale:** Not in Scale

**Sheet No:** 08

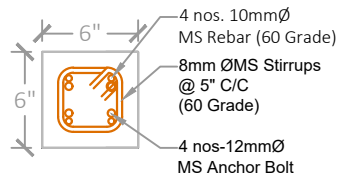
**Date:** April, 2025.

**Sketch & Planning by:**  
International Organization for Migration (IOM) & Shelter taskforce Team

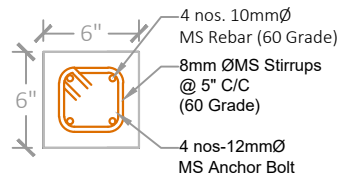
**Drawn by:**  
International Organization for Migration (IOM)

**Design & Checked by :**  
International Organization for Migration (IOM) & Shelter taskforce Team

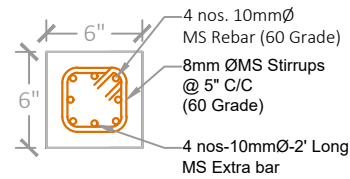
**Technical Support & Validated by:**  
SCCCM Sector-ISCG and RRRRC



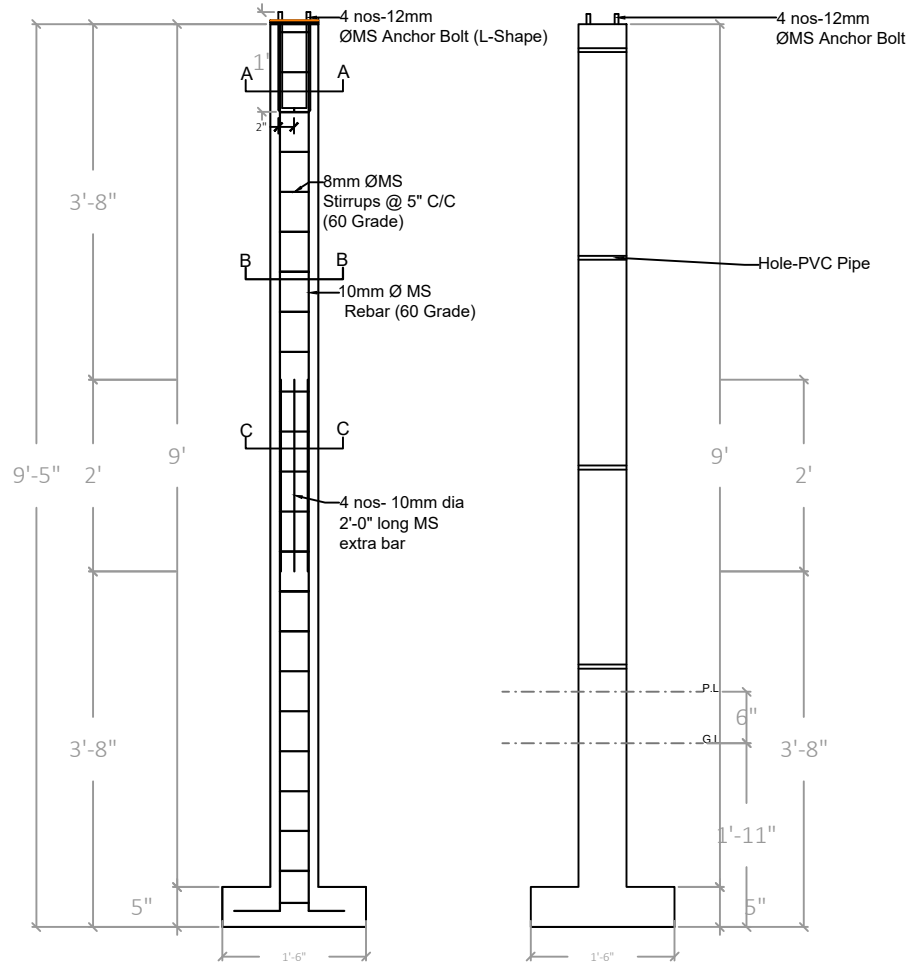
Section A-A  
SIZE: 6"X6"



Section B-B  
SIZE: 6"X6"



Section C-C  
SIZE: 6"X6"



Reinforcement Details of pre cast Integrated Footing RCC Column

### RCC Column

SIZE: 6"X6"X9'-5"

Cement : Sand: Aggregate=1:2:4,

Compressive strength of  
Concrete=M15 (15 MPa)

### General Notes

- 1) Shelter size: 15' X 10' (150 sft)
- 2) Flooring-Sand and cement
- 3) Footing-N/A
- 4) Structure (post + beam)-Precast Concrete posts, MS Angle Rafter and beam
- 5) Walling-lime stabilized soil plaster on Bamboo mat
- 6) Roofing - CGI with CGI ridge, PU Insulation under roof layer

### ISCG SCCCM SECTOR SCCCM Sector Standards - Bangladesh



Coordination Hub, Kabita Soroni, Motel Road,  
Cox's Bazar-4700, Bangladesh

Project Title:  
TEMPORARY SAFER SHELTER (TSS)

Drawing No: 01

Drawing title : Details of RCC Column with  
Integrated Footing

Scale: 1:100

Sheet No: 09

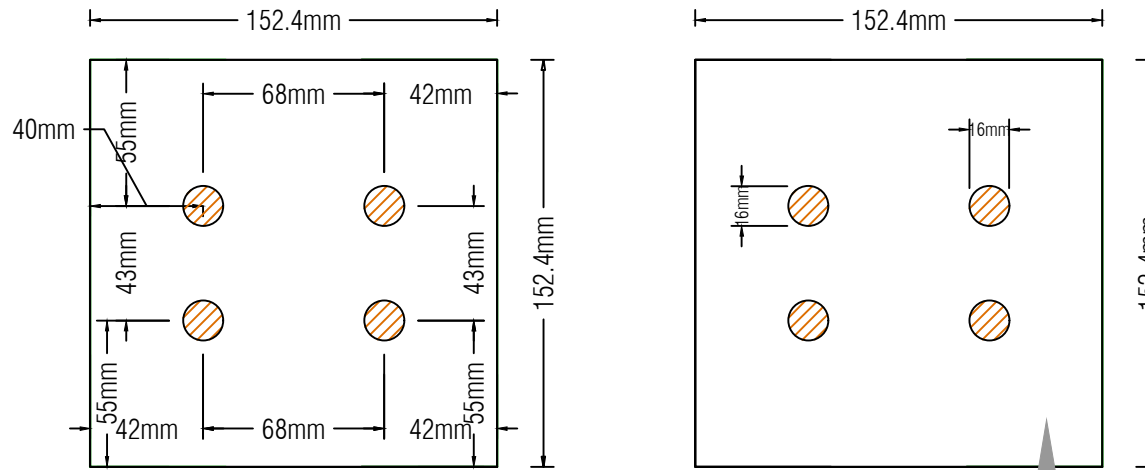
Date: April, 2025.

Sketch & Planning by:  
International Organization for Migration (IOM) & Shelter taskforce Team

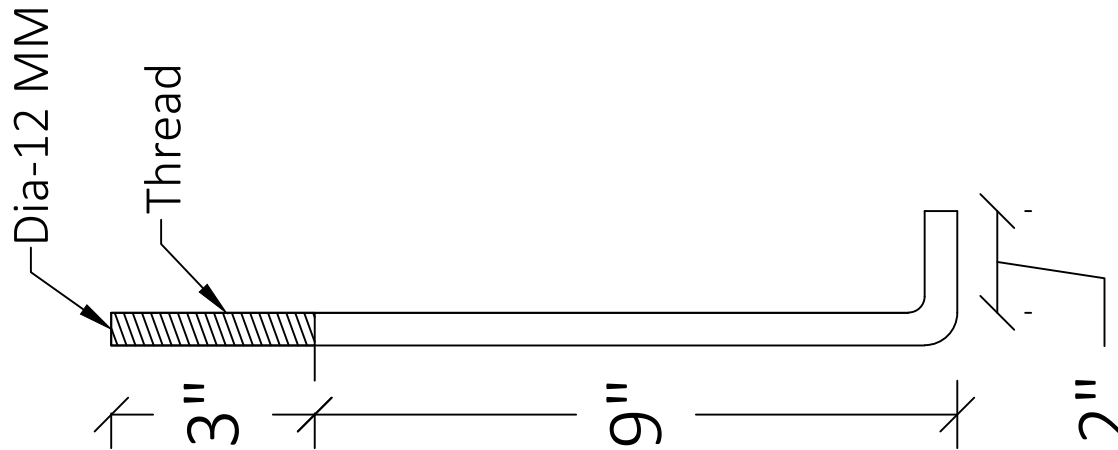
Drawn by:  
International Organization for Migration (IOM)

Design & Checked by :  
International Organization for Migration (IOM) & Shelter taskforce Team

Technical Support & Validated by:  
SCCCM Sector-ISCG and RRRRC



**6mm thick MS Base plate with 16mm Dia punch in the four corner**



**12 mm diameter Anchor bolt with compliable Nut ( 2 piece) and Washer(2 piece) with each bolt**

**General Notes**

- 1) Shelter size: 15' X 10' (150 sft)
- 2) Flooring-Sand and cement
- 3) Footing-N/A
- 4) Structure (post + beam)-Precast Concrete posts, MS Angle Rafter and beam
- 5) Walling-lime stabilized soil plaster on Bamboo mat
- 6) Roofing - CGI with CGI ridge, PU Insulation under roof layer

ISCG SCCCM SECTOR  
 SCCCM Sector Standards - Bangladesh

Rohingya Refugee Response Bangladesh | SHELTER & CCCM SECTOR  
 Cox's Bazar, Bangladesh

Coordination Hub, Kabita Soroni, Motel Road, Cox's Bazar-4700, Bangladesh

**Project Title:**  
 TEMPORARY SAFER SHELTER (TSS)

**Drawing No:** 01

**Drawing title :** Base Plate and anchor bolt details

**Scale:** 1:100

**Sheet No:** 10

**Date:** April, 2025.

**Sketch & Planning by:**  
 International Organization for Migration (IOM) & Shelter taskforce Team

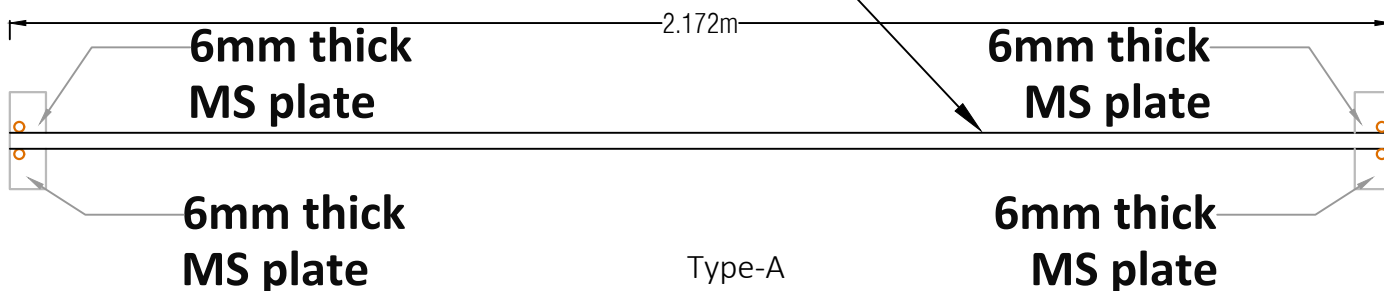
**Drawn by:**  
 International Organization for Migration (IOM)

**Design & Checked by :**  
 International Organization for Migration (IOM) & Shelter taskforce Team

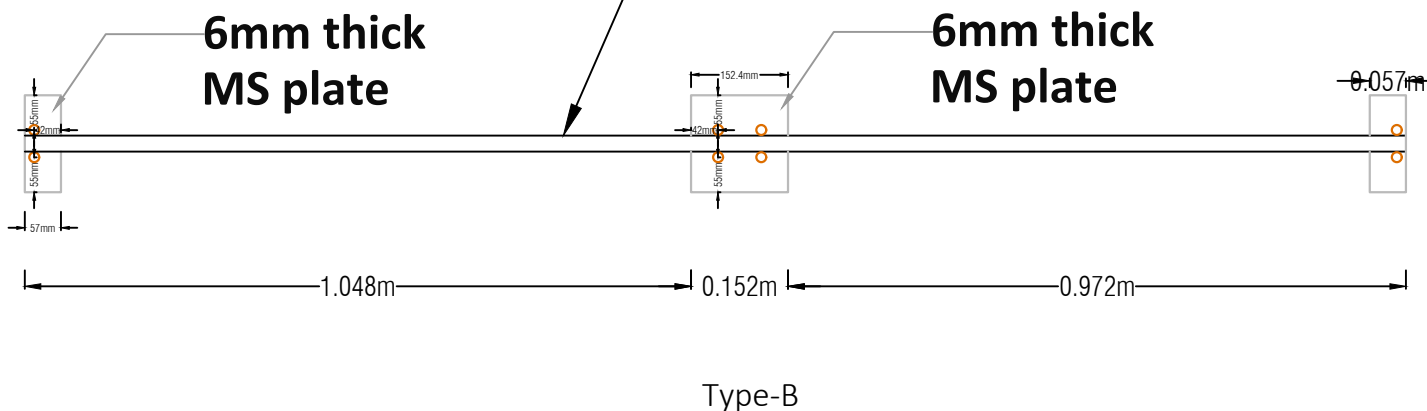
**Technical Support & Validated by:**  
 SCCCM Sector-ISCG and RRRRC



MS Angle-L Shape (25X25X3)MM



MS Angle-L Shape (25X25X3)MM



### General Notes

- 1) Shelter size: 15' X 10' (150 sft)
- 2) Flooring-Sand and cement
- 3) Footing-N/A
- 4) Structure (post + beam)-Precast Concrete posts, MS Angle Rafter and beam
- 5) Walling-lime stabilized soil plaster on Bamboo mat
- 6) Roofing - CGI with CGI ridge, PU Insulation under roof layer

ISCG SCCC Sector  
SCCCM Sector Standards - Bangladesh



Coordination Hub, Kabita Soroni, Motel Road,  
Cox's Bazar-4700, Bangladesh

**Project Title:**  
TEMPORARY SAFER SHELTER (TSS)

**Drawing No:** 01

**Drawing title:** Beam details

**Scale:** 1:100

**Sheet No:** 12

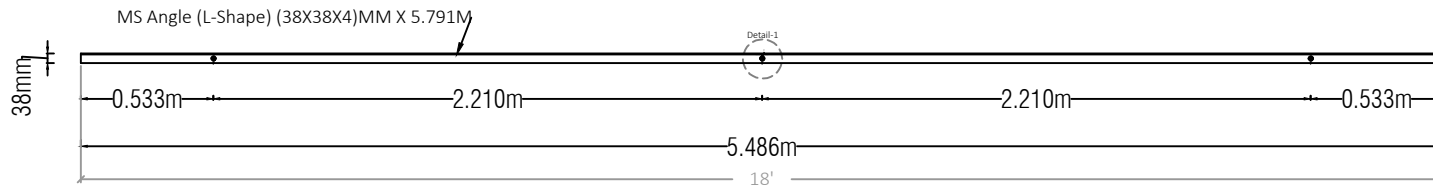
**Date:** April, 2025.

**Sketch & Planning by:**  
International Organization for Migration (IOM) & Shelter taskforce Team

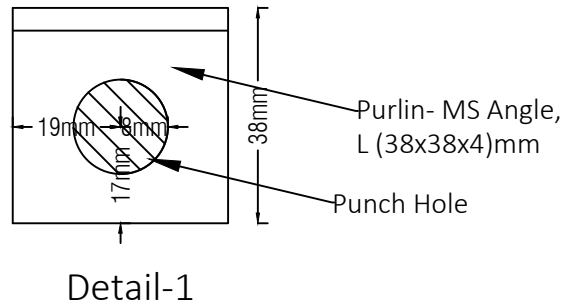
**Drawn by:**  
International Organization for Migration (IOM)

**Design & Checked by:**  
International Organization for Migration (IOM) & Shelter taskforce Team

**Technical Support & Validated by:**  
SCCCM Sector-ISCG and RRRRC



Purlin Details



**General Notes**

- 1) Shelter size: 15' X 10' (150 sft)
- 2) Flooring-Sand and cement
- 3) Footing-N/A
- 4) Structure (post + beam)-Precast Concrete posts, MS Angle Rafter and beam
- 5) Walling-lime stabilized soil plaster on Bamboo mat
- 6) Roofing - CGI with CGI ridge, PU Insulation under roof layer

**ISCG SCCCMM SECTOR  
SCCCM Sector Standards - Bangladesh**



Coordination Hub, Kabita Soroni, Motel Road,  
Cox's Bazar-4700, Bangladesh

**Project Title:**  
TEMPORARY SAFER SHELTER (TSS)

**Drawing No:** 01

**Drawing title :** Purlin details

**Scale:** 1:100

**Sheet No:** 13

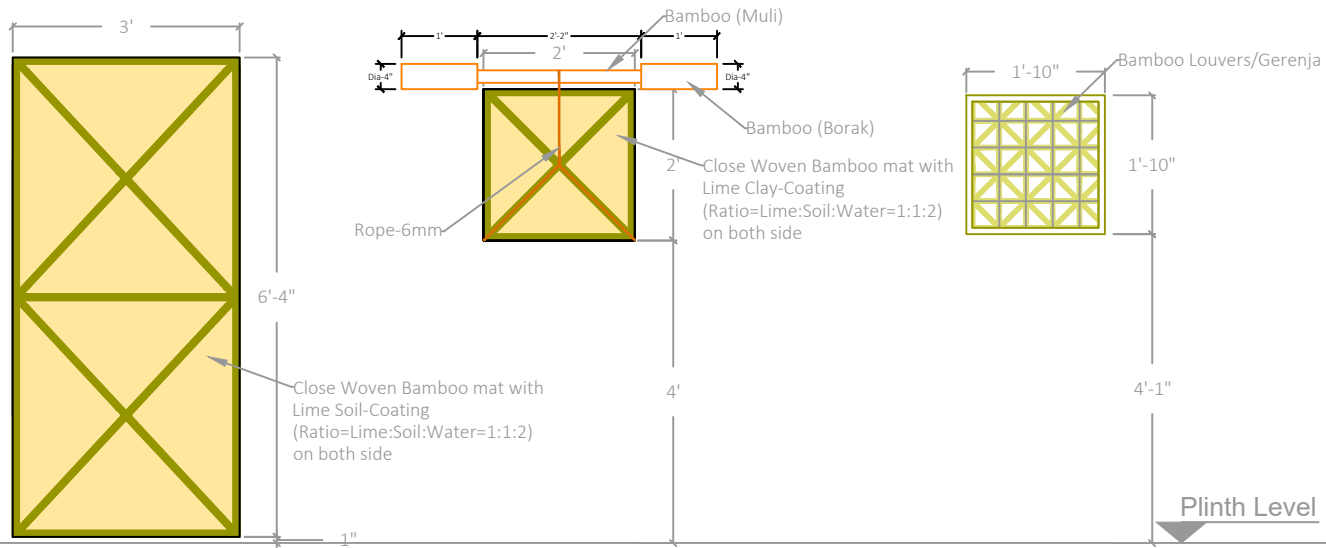
**Date:** April, 2025.

**Sketch & Planning by:**  
International Organization for Migration (IOM) & Shelter taskforce Team

**Drawn by:**  
International Organization for Migration (IOM)

**Design & Checked by :**  
International Organization for Migration (IOM) & Shelter taskforce Team

**Technical Support & Validated by:**  
SCCCM Sector-ISCG and RRRRC



**Door**

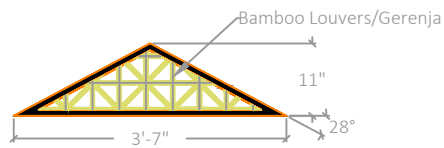
Bamboo Mat with Lime-Soil Coating on both side

**Window**

Byfold / Swing Window  
Bamboo Mat with Lime-Soil Coating on both side  
Bamboo Louvers.

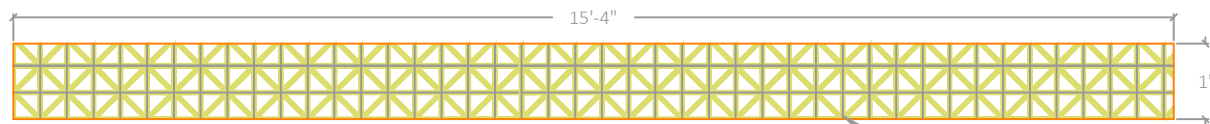
**Louvers/Gerenja**

Bamboo Louvers/Gerenja  
Lime Coating (Ratio=Lime:Water=1:2)



**Trianguar Louvers/Gerenja**

Bamboo Louvers with  
Lime Coating (Ratio=Lime:Water=1:2)



**Louvers/Gerenja**

Bamboo Louvers with  
Lime Coating (Ratio=Lime:Water=1:2)

- General Notes**
- 1) Shelter size: 15' X 10' (150 sft)
  - 2) Flooring-Sand and cement
  - 3) Footing-N/A
  - 4) Structure (post + beam)-Precast Concrete posts, MS Angle Rafter and beam
  - 5) Walling-lime stabilized soil plaster on Bamboo mat
  - 6) Roofing - CGI with CGI ridge, PU Insulation under roof layer

**ISCG SCCCM SECTOR**  
**SCCCM Sector Standards - Bangladesh**

Coordination Hub, Kabita Soroni, Motel Road, Cox's Bazar-4700, Bangladesh

**Project Title:**  
TEMPORARY SAFER SHELTER (TSS)

**Drawing No:** 01

**Drawing title :** Door, Window, Gerenja details

**Scale:** 1:100

**Sheet No:** 14

**Date:** April, 2025.

**Sketch & Planning by:**  
International Organization for Migration (IOM) & Shelter taskforce Team

**Drawn by:**  
International Organization for Migration (IOM)

**Design & Checked by :**  
International Organization for Migration (IOM) & Shelter taskforce Team

**Technical Support & Validated by:**  
SCCCM Sector-ISCG and RRRRC